

E40

Automatic couplings

The V. ORLANDI E40 series is a 40 mm automatic drawbar coupling, which is designed for steering drawbar trailers and central axle trailers. That coupling series is homologated according to ECE R55 or 94/20/CE standard. It is easy to handle and can be maintained very fast and cost efficient. All E40 couplings can be adjusted with various sensor and remote options.



Technical data

| | |
|----------------------|---|
| Flange size | 120 × 55 140 × 80 160 × 100 [mm] |
| D-Value | 70 - 150 [kN] |
| DC-Value | 70 - 100 [kN] |
| S-Load (Mass load) | 700 - 1000 [kg] |
| V-Value | 28 - 42 [kN] |
| Weight | 33 - 38 [kg] |
| Homologation | ECE R55 (class S) or 94/20/CE (class S) |
| Drawbar eye standard | DIN 74054; ECE R55 (class S) |

Specs

- Robust rigid coupling, simple installation
- ± 105° angle of rotation and ± 20° vertical oscillation
- Easier to operate, can be opened at any angle between truck and trailer
- Proved according to the latest ECE-R55
- Upgradable with manual or pneumatic remote open system
- Fast Plug and Play connection with several sensor indicators
- Opening lever available either upwards or downwards

E40

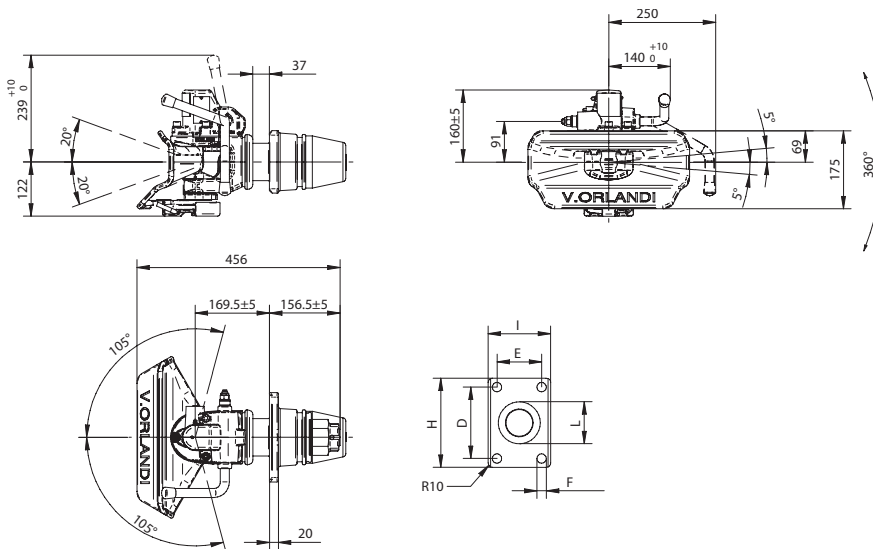
Automatic couplings



| | | |
|------------------|-----------------|---------|
| For drawbar eyes | ∅ 40 | ECE R55 |
|------------------|-----------------|---------|

TECHNICAL DATA

| Part number | Hole pattern [mm] | D-Value [kN] | DC-Value [kN] | S-Load [kg] | V-Value [kN] | Weight [kg] | 94/20/CE | | ECE R55 | |
|--------------------|-------------------|--------------|---------------|-------------|--------------|-------------|----------|--------------|---------|--------------|
| | | | | | | | Class | Homologation | Class | Homologation |
| GE403A0 GE403B0 | 120 × 55 | 70 | 70 | 700 | 28 | 34 | S | e11 00-4224 | S | E11 01-4224 |
| GE404A0 GE404B0 | 140 × 80 | 110 | 92 | 1000 | 38 | 35.5 | S | e11 00-4228 | S | E11 01-4228 |
| GE406A0 GE406B0 | 160 × 100 | 150 | 100 | 1000 | 42 | 37.5 | S | e11 00-4227 | S | E11 01-4227 |



Create your part number:

| | | | |
|-----------|------------|-------------------|----------|
| GE | XXX | X | X |
| D-Value | | Action lever type | |
| Version | | | |

D-Value
 403 = 70 kN 404 = 110 kN
 406 = 150 kN

Action lever types
 A = Short lever
 B = Long lever

Versions
 0 = Standard
 1 = Standard + CO01601
 3 = Standard + CO01603
 4 = Standard + CO02600
 6 = Standard + CO01606
 9 = Standard + CO02200

| | F [mm] | H [mm] | I [mm] | L [mm] |
|------|--------|--------|--------|--------|
| E403 | ∅ 15 | 155 | 90 | ∅ 73.9 |
| E404 | ∅ 17 | 180 | 120 | ∅ 83.9 |
| E406 | ∅ 21 | 200 | 140 | ∅ 93.9 |

| Lever type | Version | | | | | |
|------------|---------------|---------------|------------|----------------------|-----------|---------------|
| A/B | 1 | 2 | 3 | 4 | 6 | 9 |
| | RED GREEN | RED GREEN | ORANGE | RED GREEN ORANGE | GREEN | RED GREEN |
| | in cab | out cab | in cab | in cab | in cab | out cab |